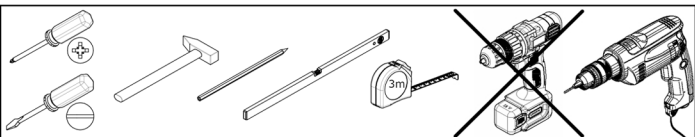
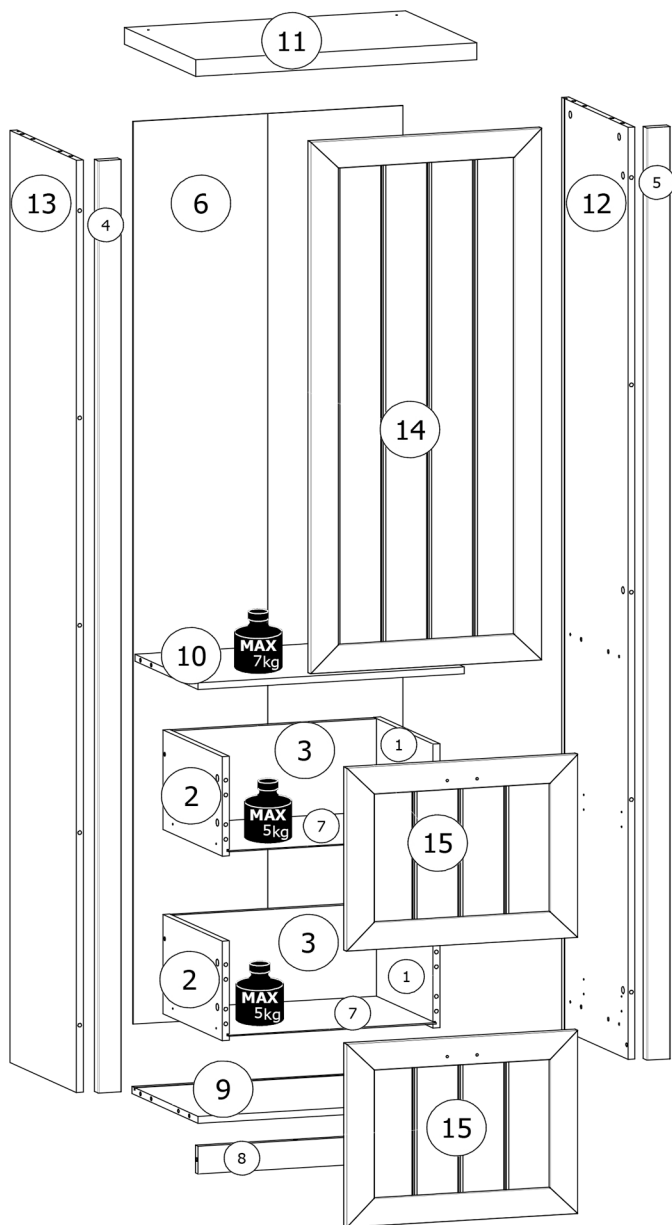
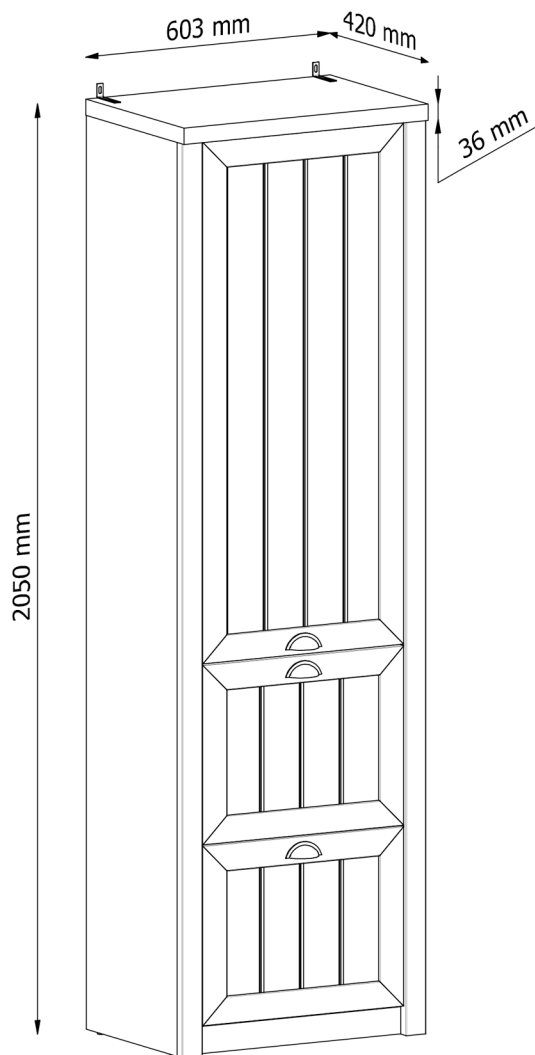
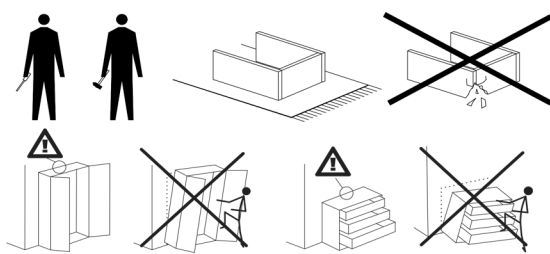


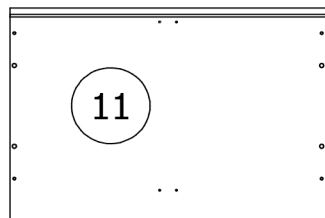
S1D2S SA



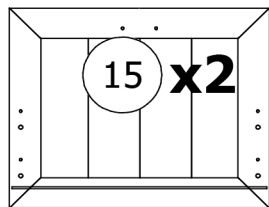
A1 x38 Ø8x35mm	B1 x26 Ø5x38mm	C1 x26 Ø15x12mm	F2 x8 40mm	G1 x10 26mm
G2 x24 14x14mm	I8 x1 360mm	J11 x12 Ø21mm	K1 x8 Ø6,4x50mm	L3 x2
N1 x1	N2 x1 4mm HEX	P2 x4 350mm	T1 x2 76x15mm	U14 x3 92x33mm
W2 x68 Ø3,5x16mm	W5 x8 Ø4x30mm	X3 x6 M4x22mm	Y1 x5 Ø8mm	Y2 x6 Ø16mm
Z6 x2 Ø35mm, 90°				



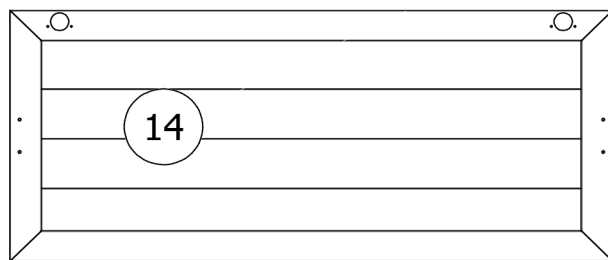
1/2



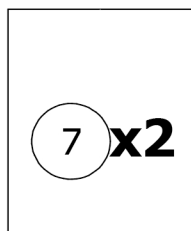
603x420x36mm



496x396x18mm



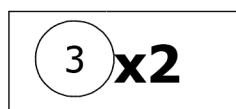
496x1149x18mm



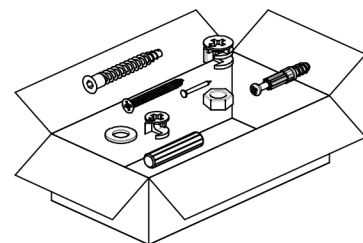
445x352x2,5mm



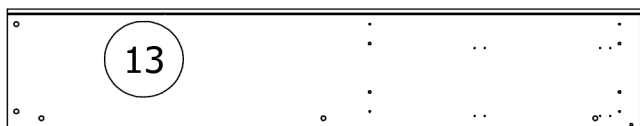
571x60x15mm



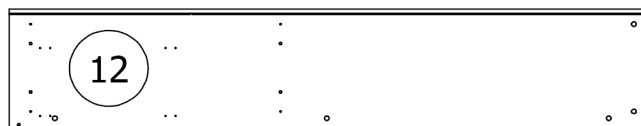
201x437x15mm



2/2



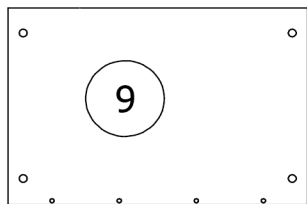
2014x390x15mm



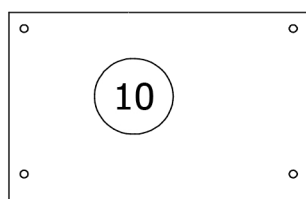
2014x390x15mm



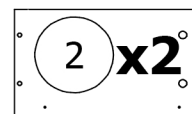
1950x579x2,5mm



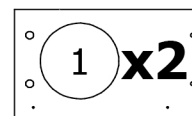
571x390x15mm



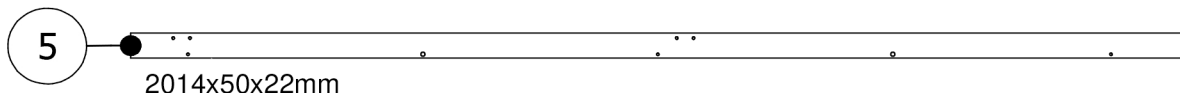
571x372x15mm



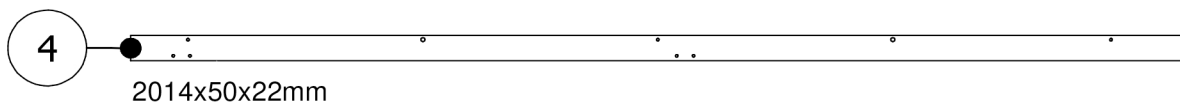
215x350x15mm



215x350x15mm

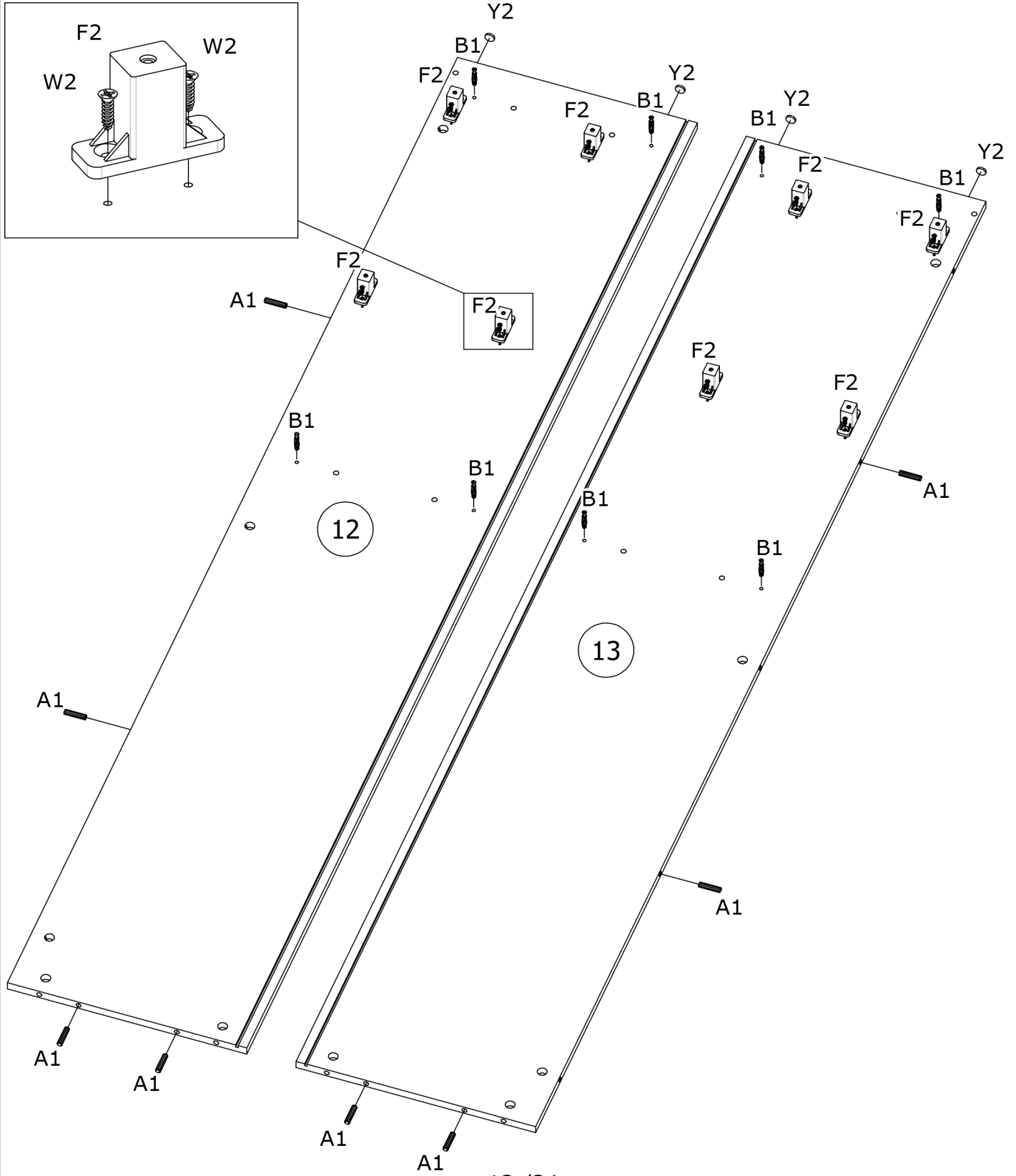
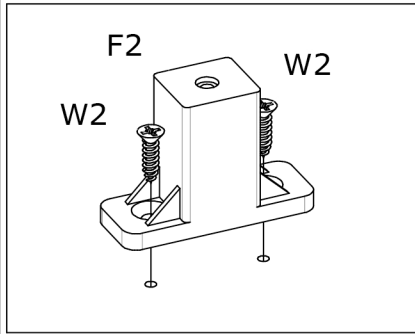
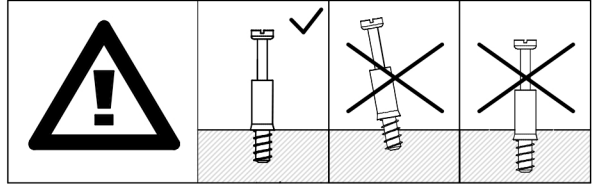
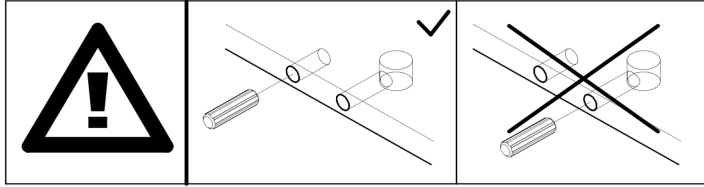


2014x50x22mm

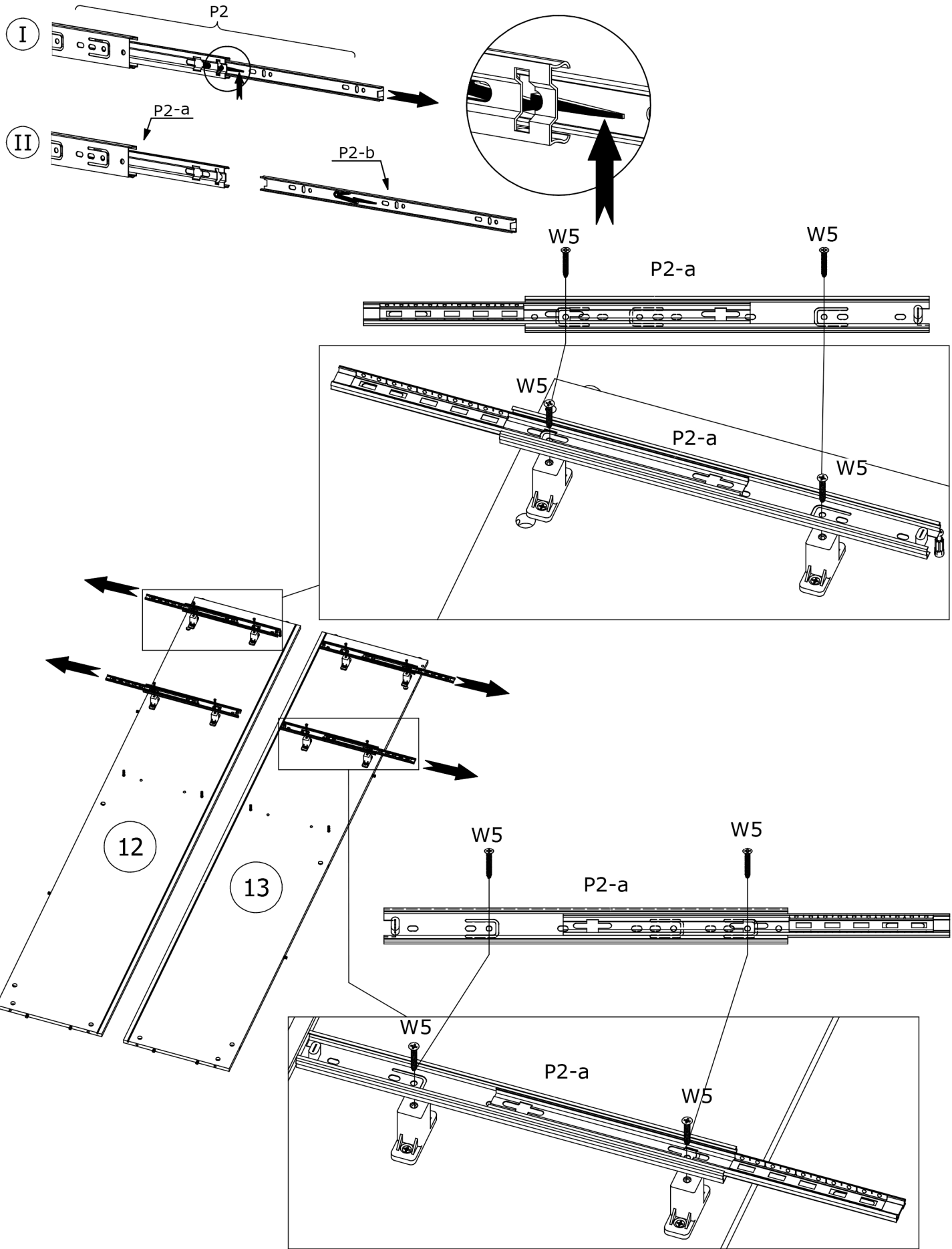


2014x50x22mm

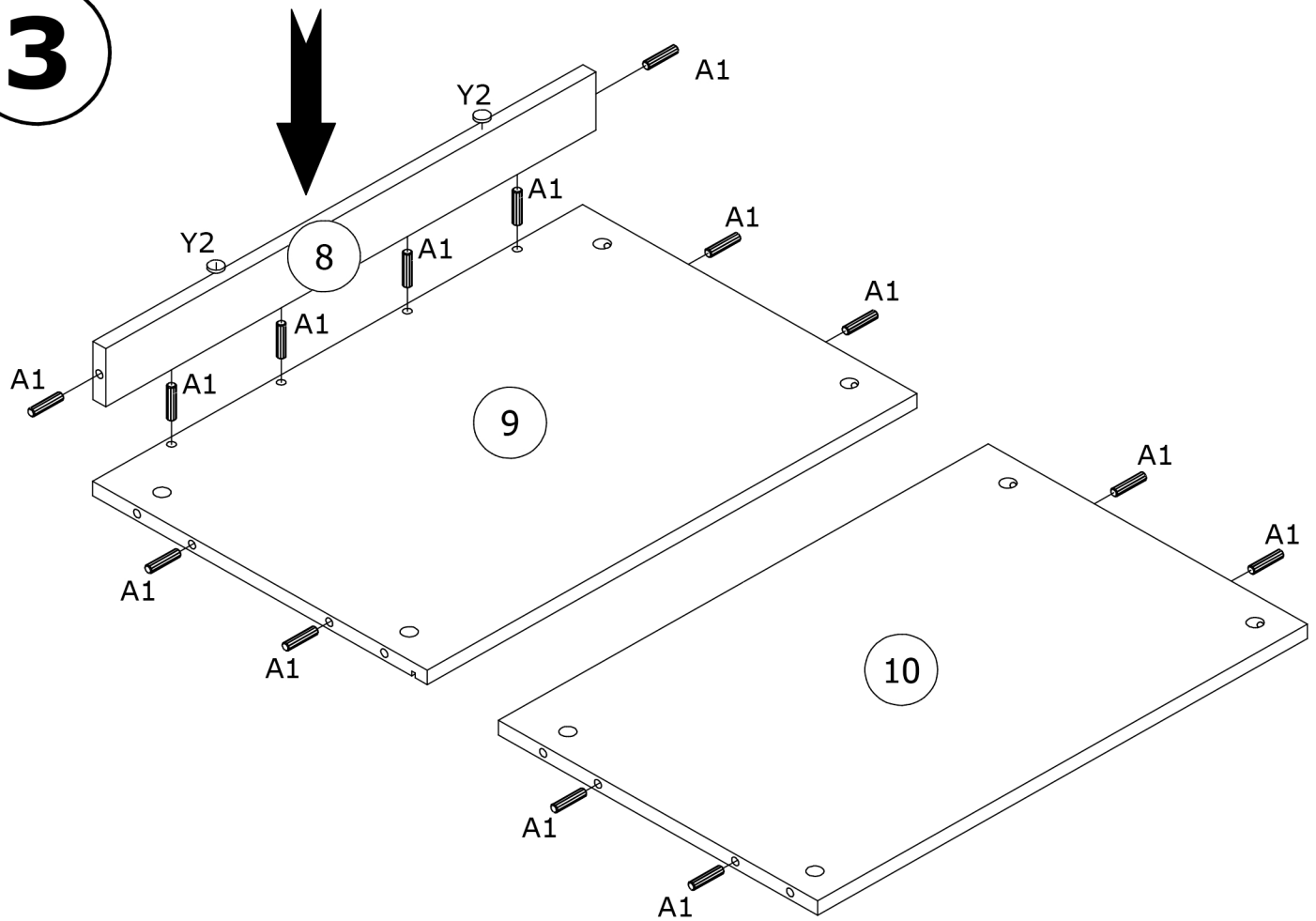
1



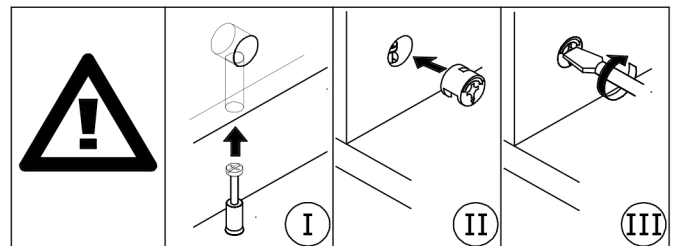
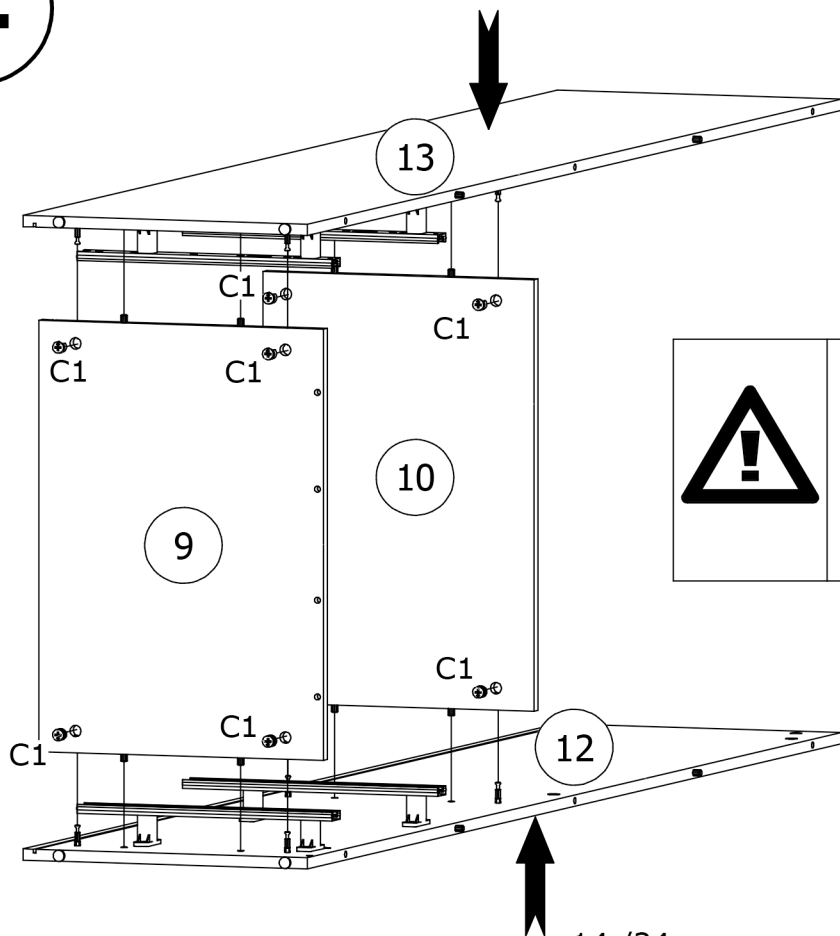
2



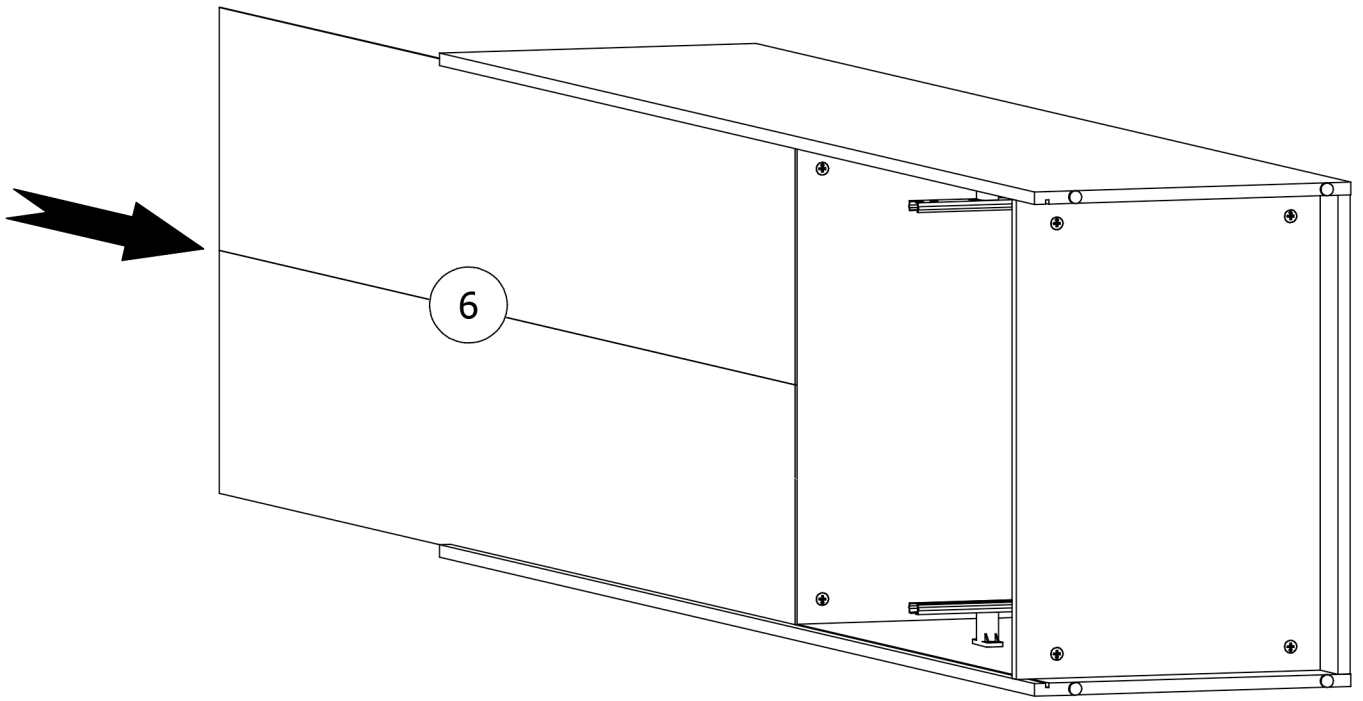
3



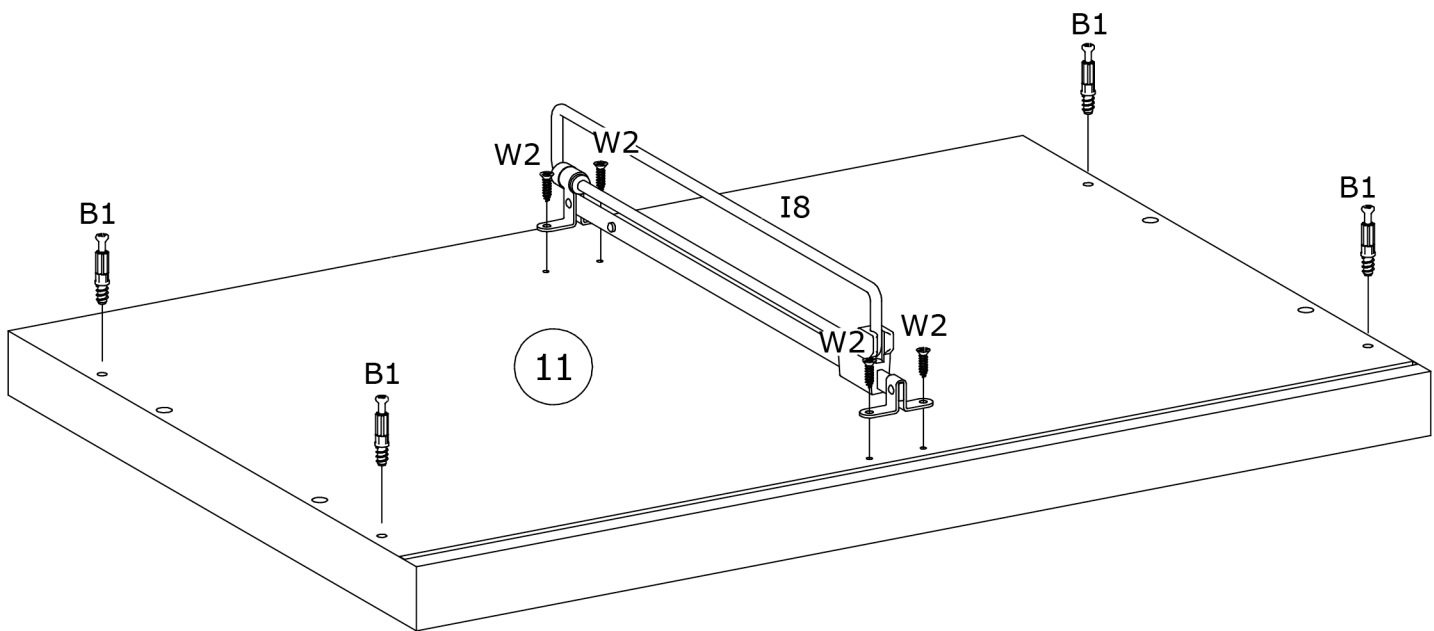
4



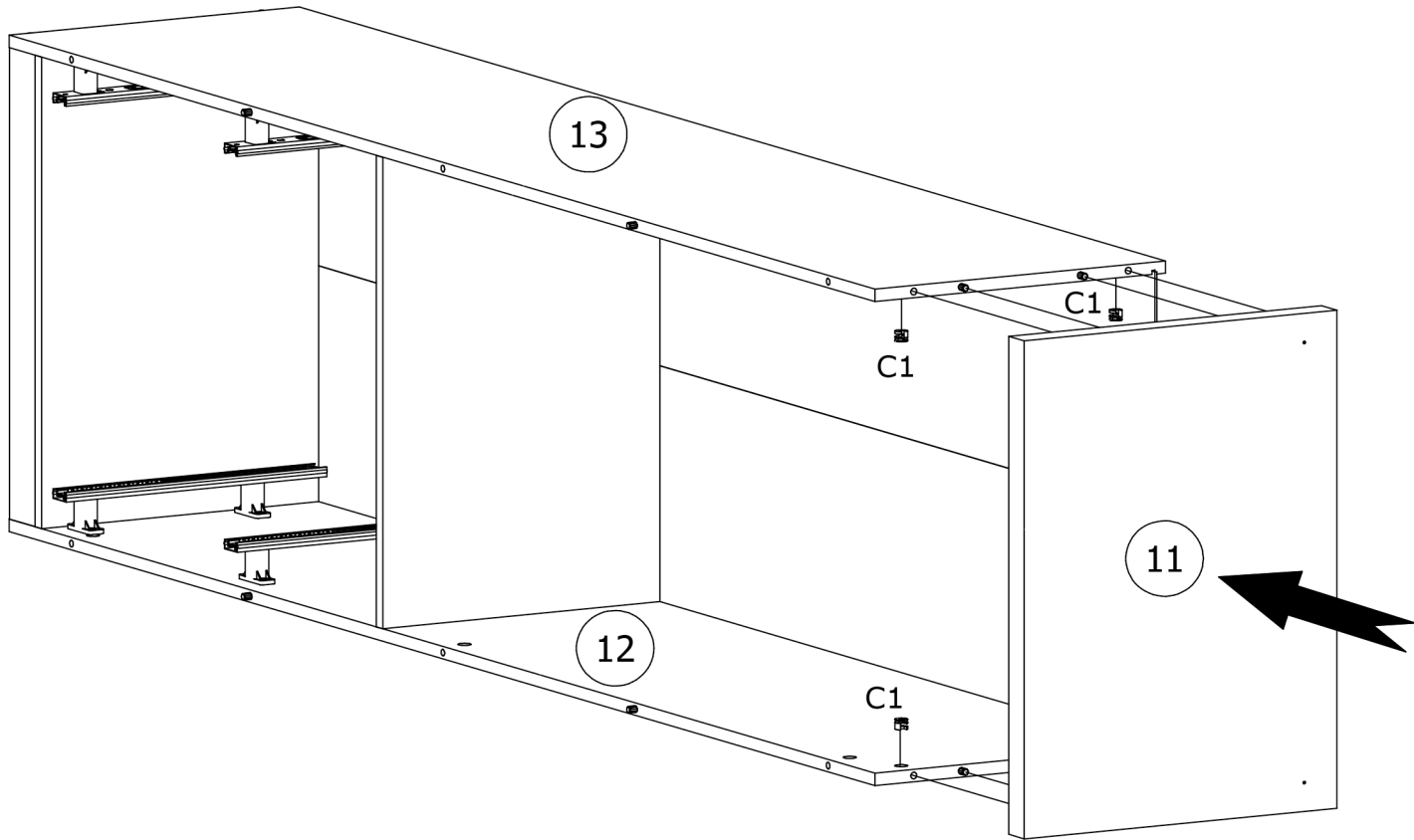
5



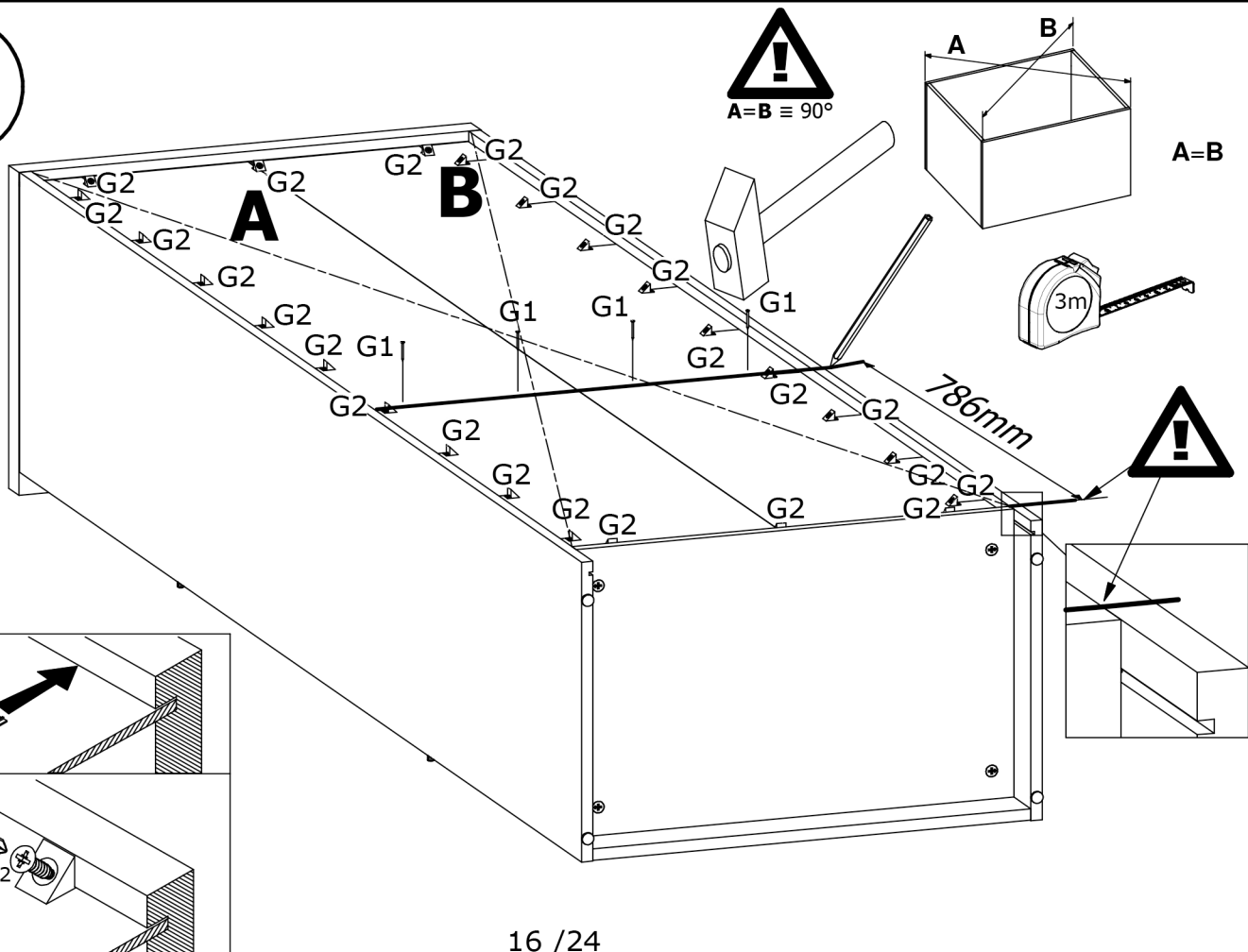
6



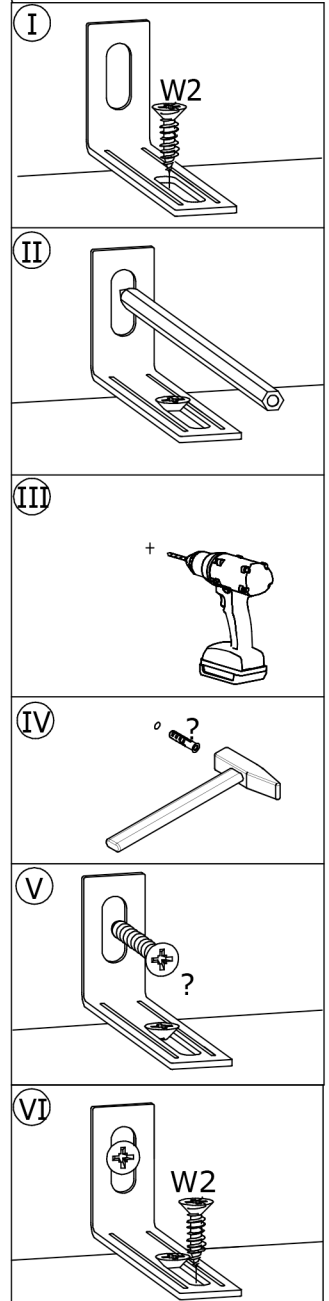
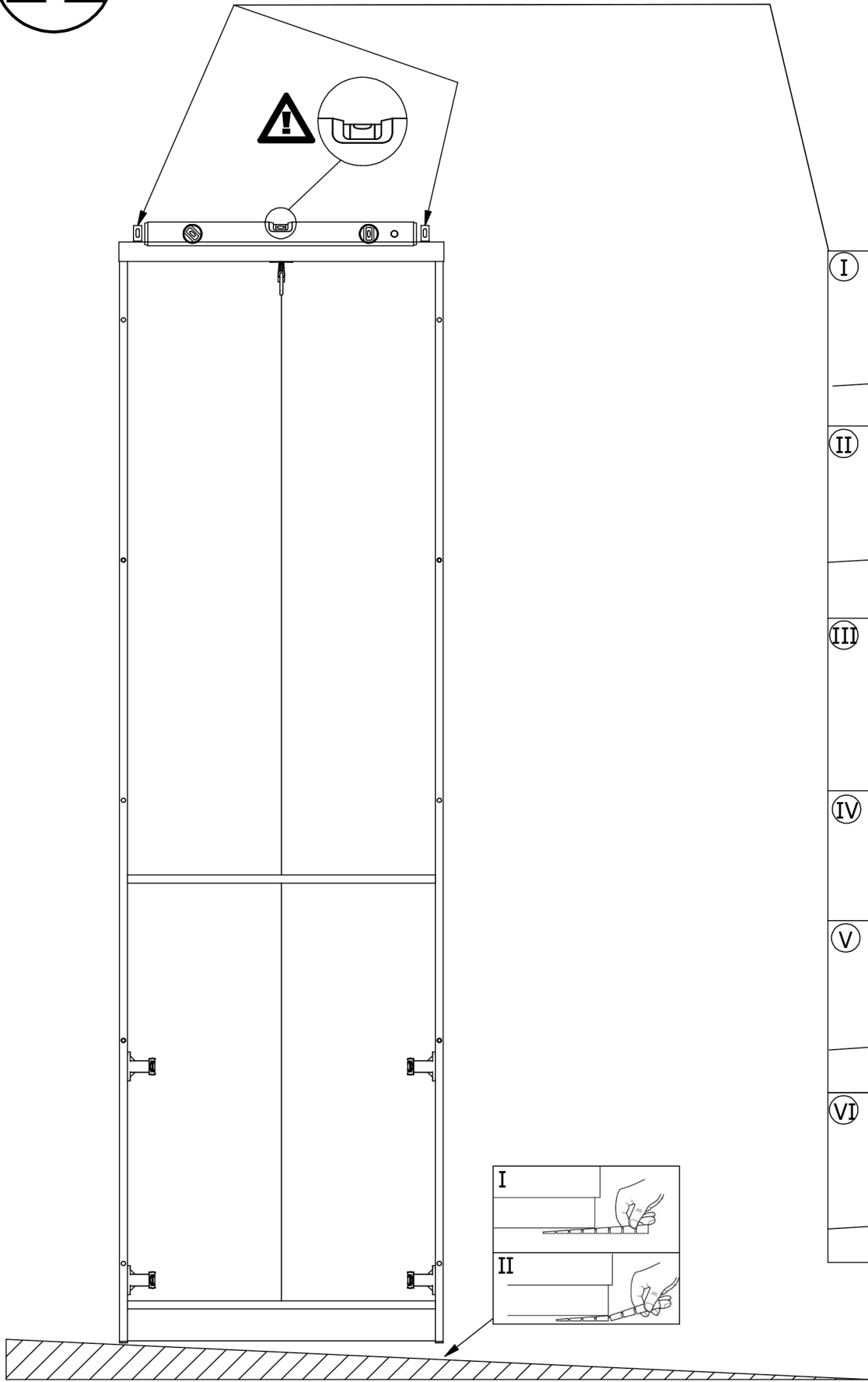
7



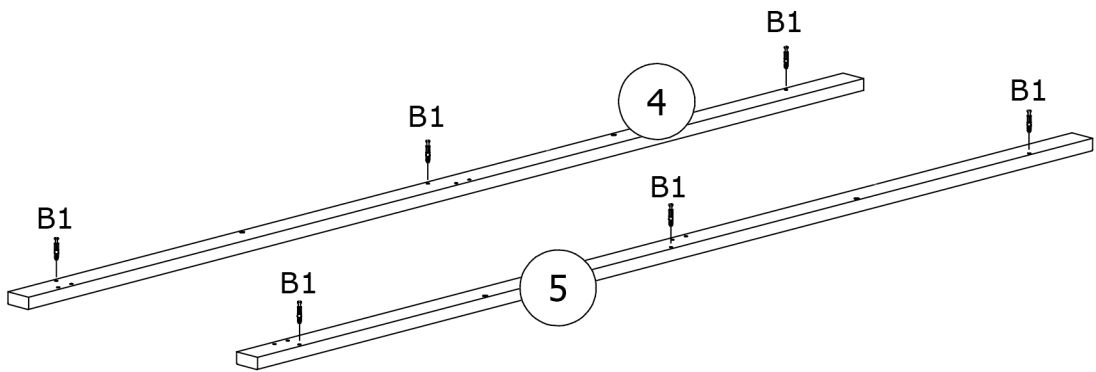
8



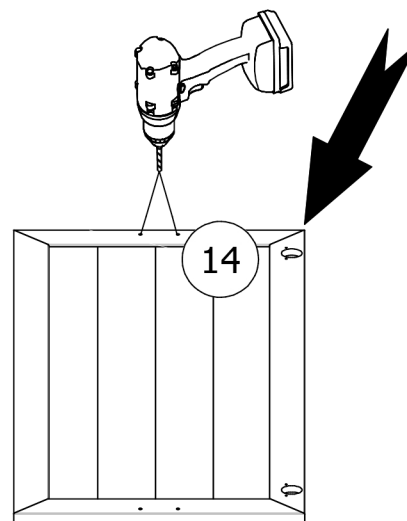
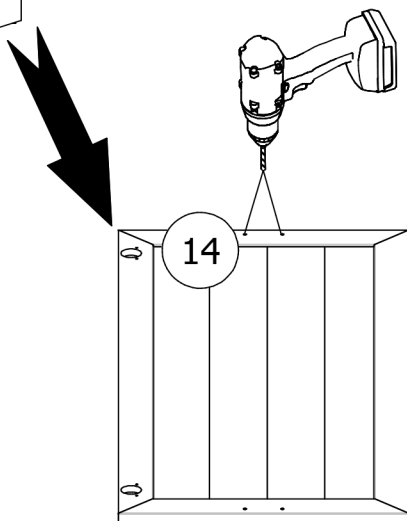
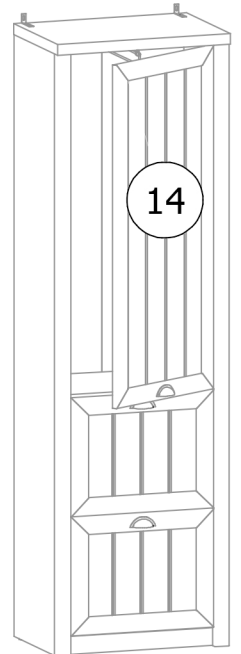
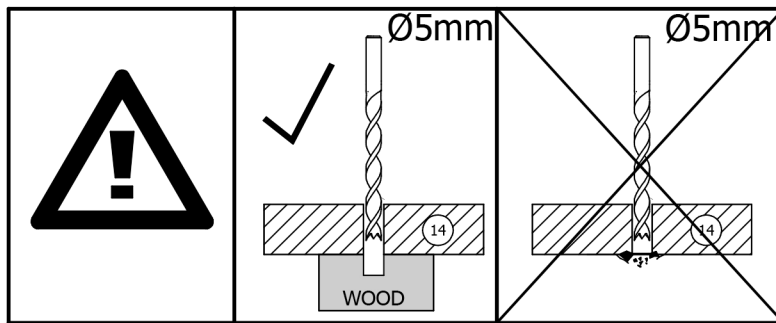
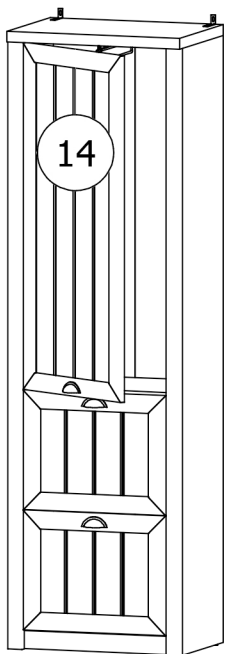
11



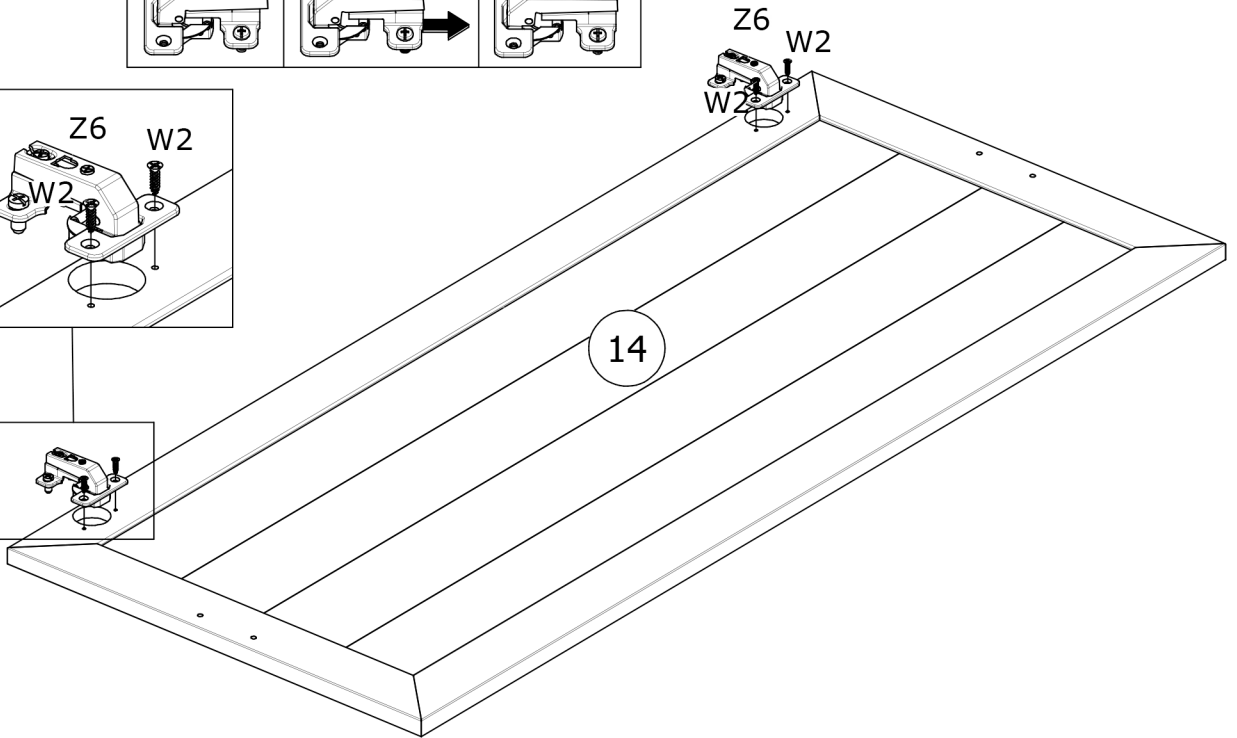
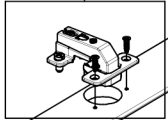
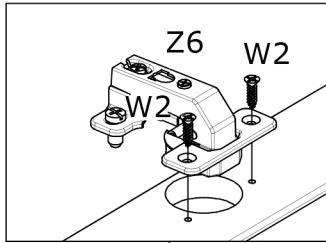
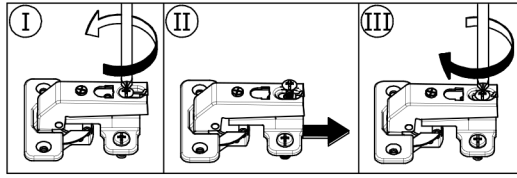
12



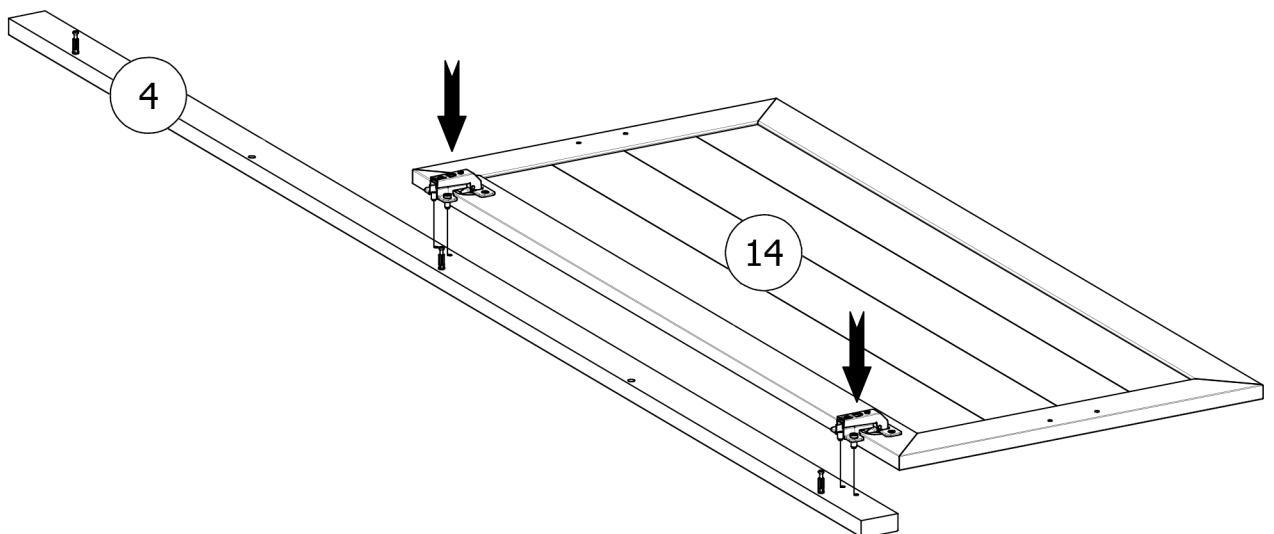
13

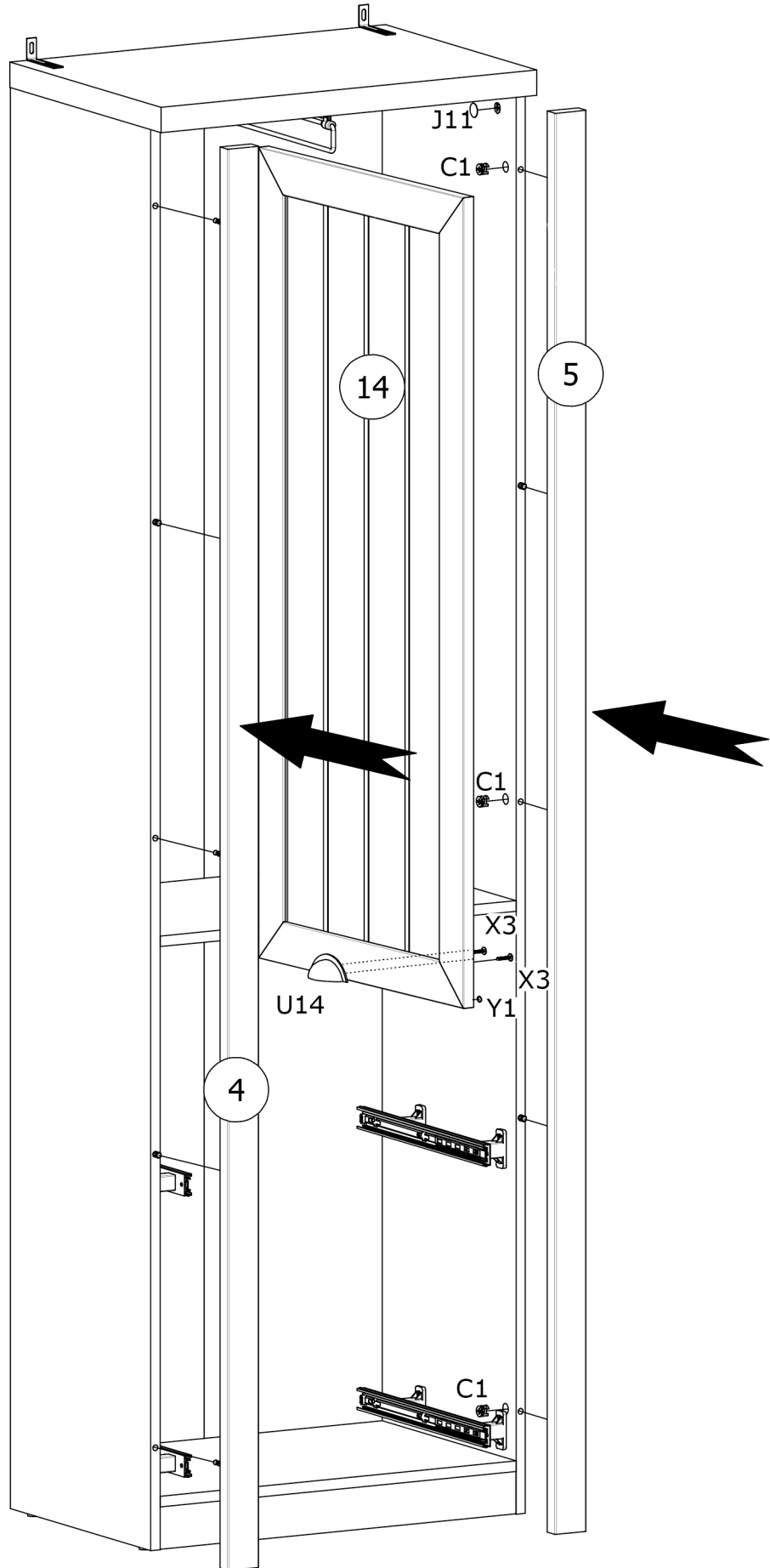


14

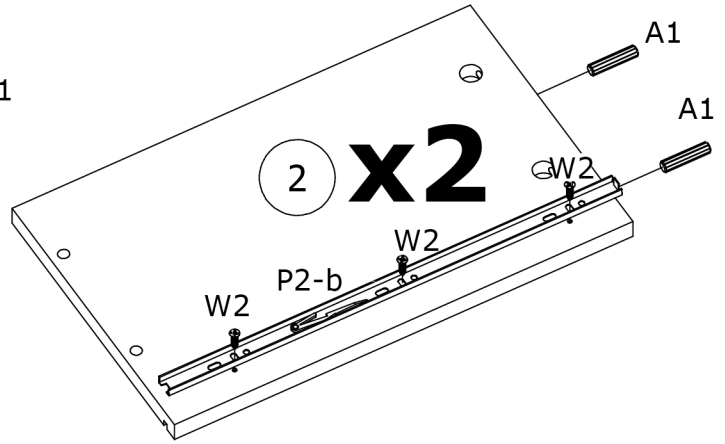
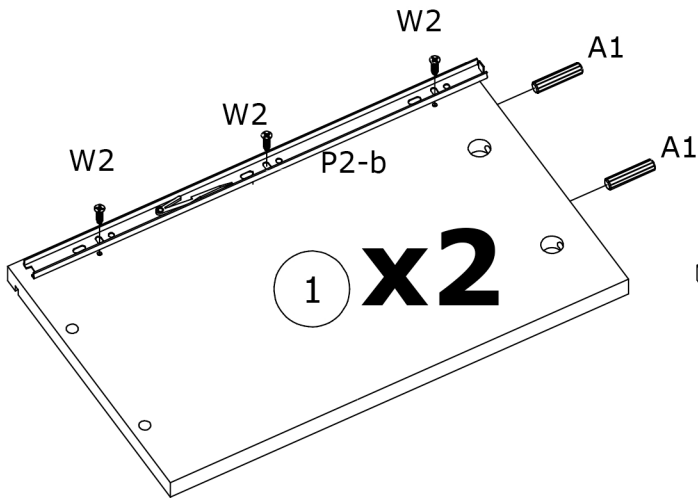
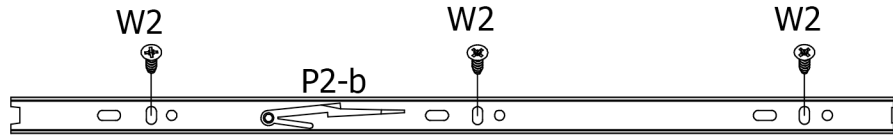


15

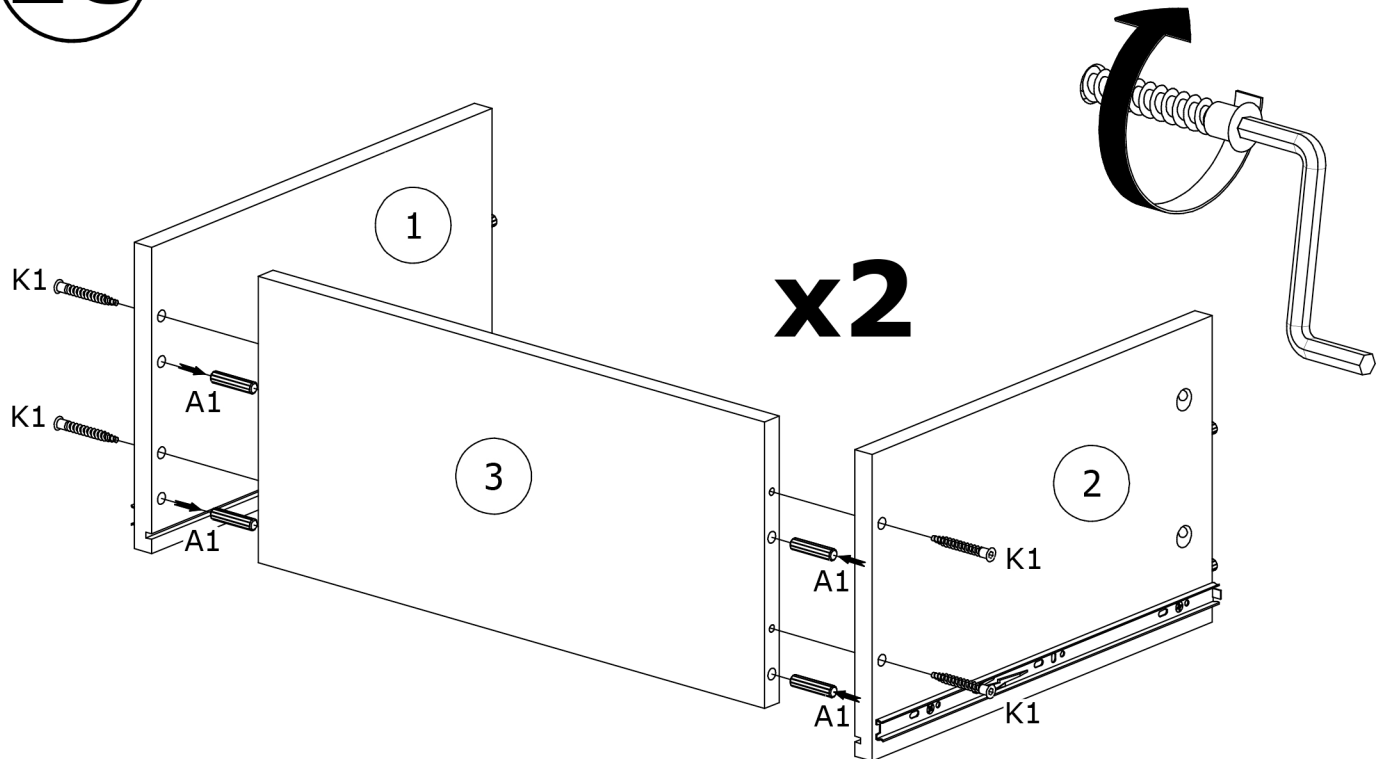




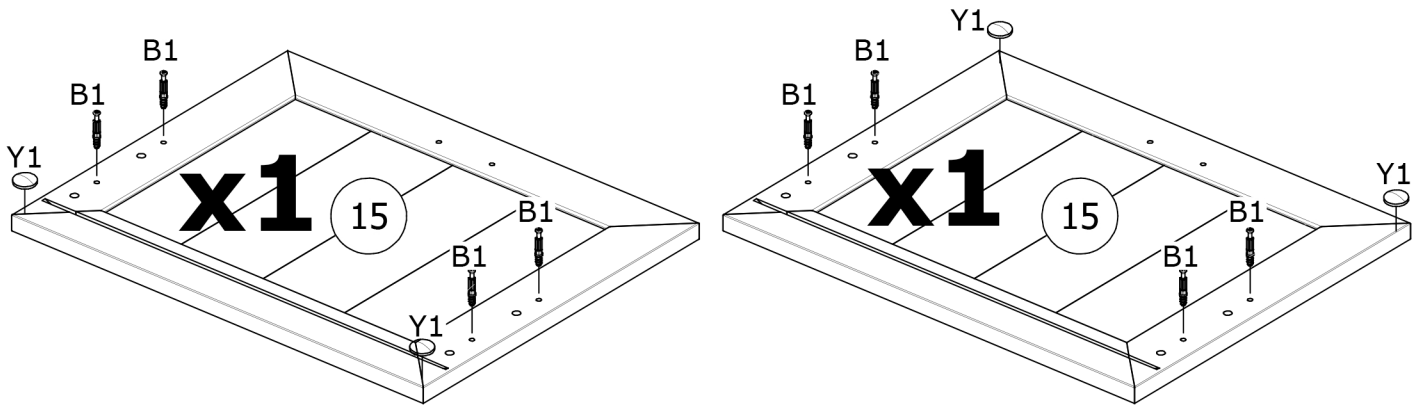
17



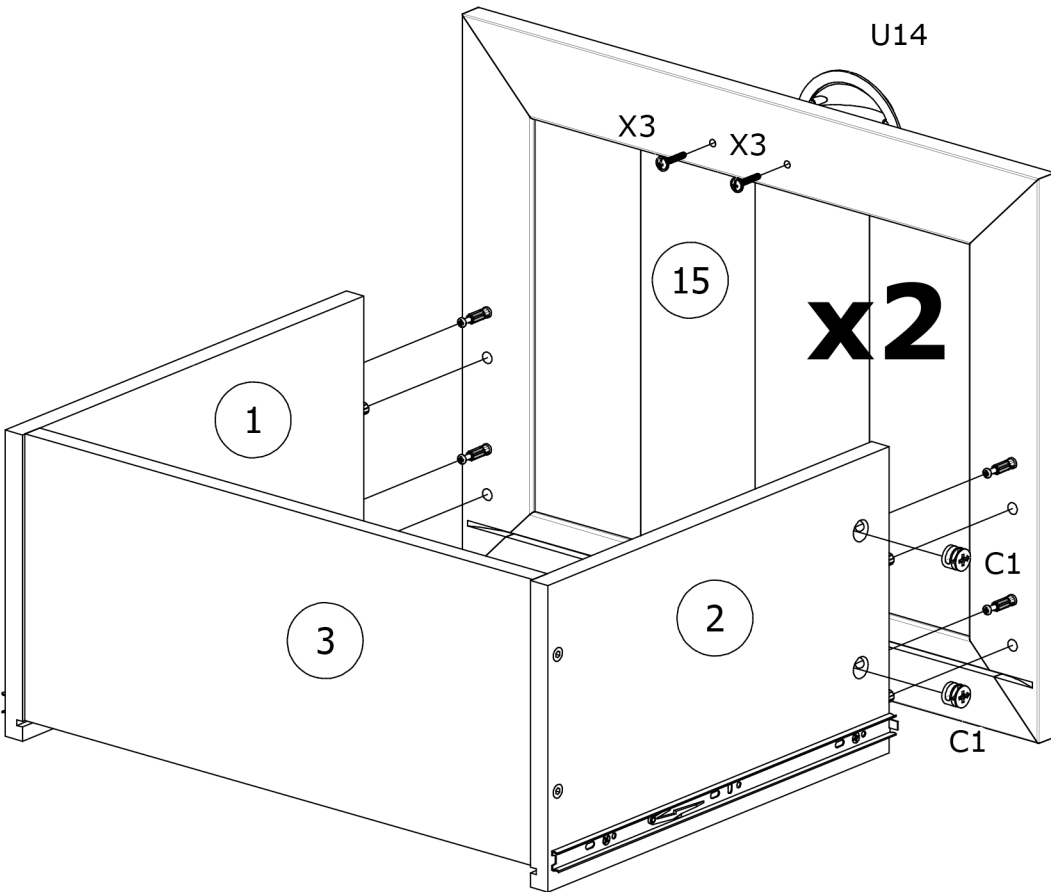
18



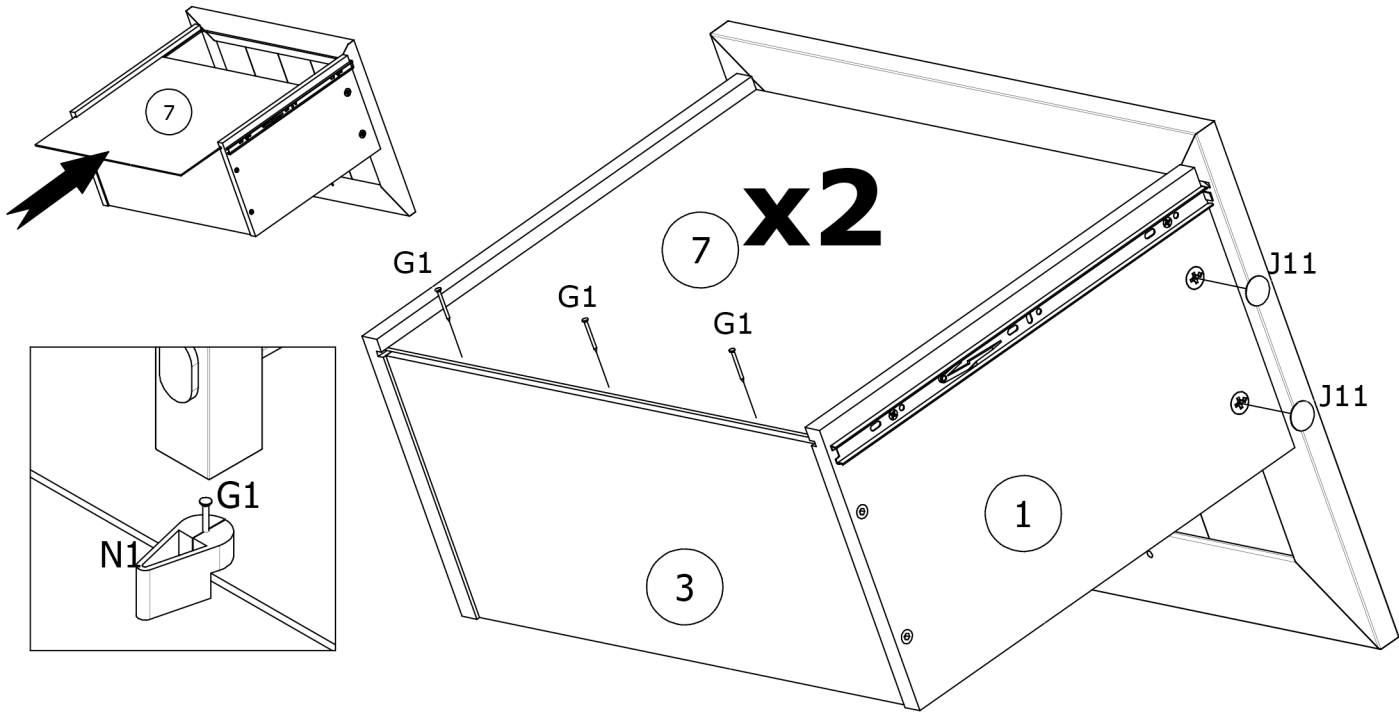
19



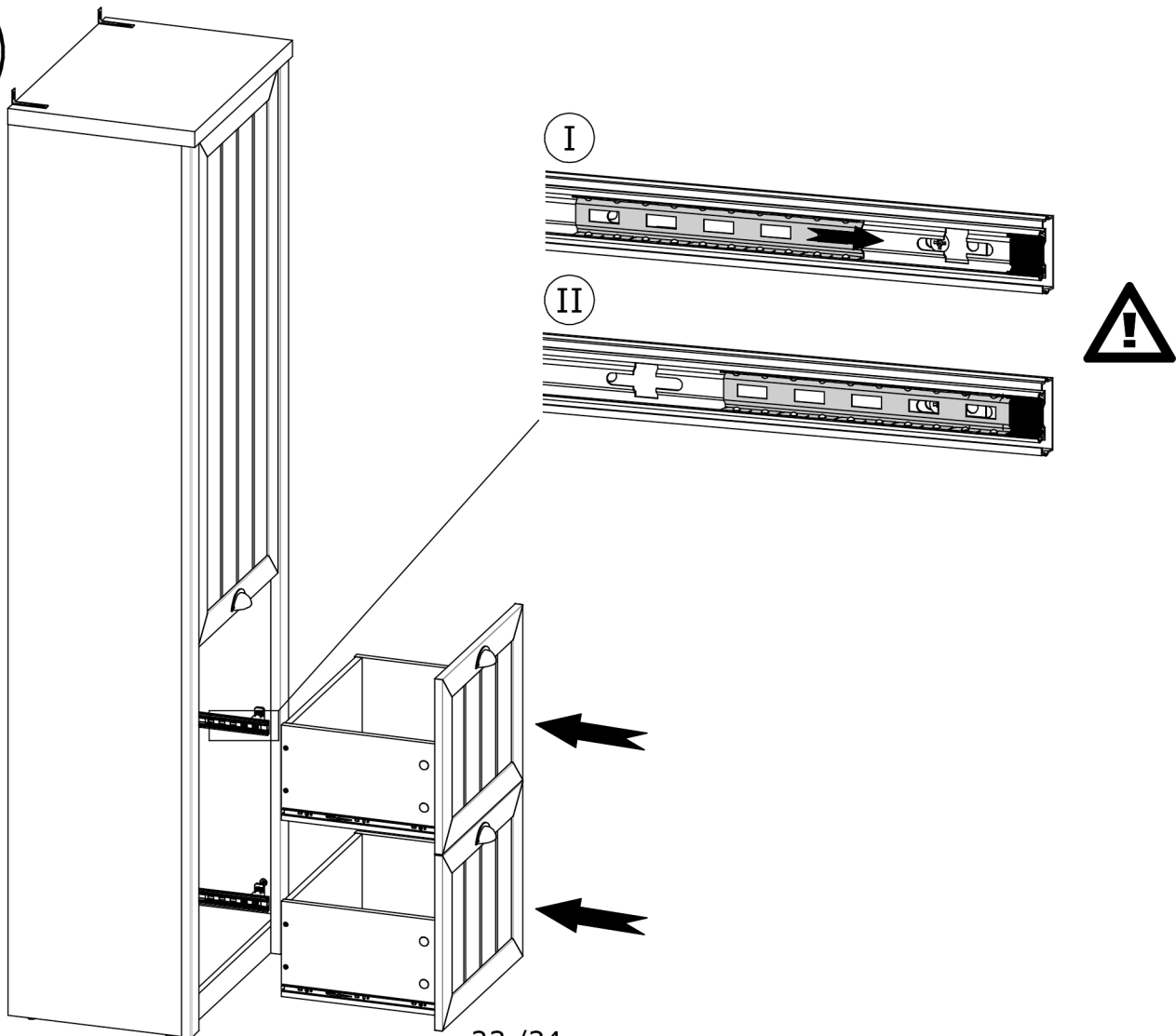
20



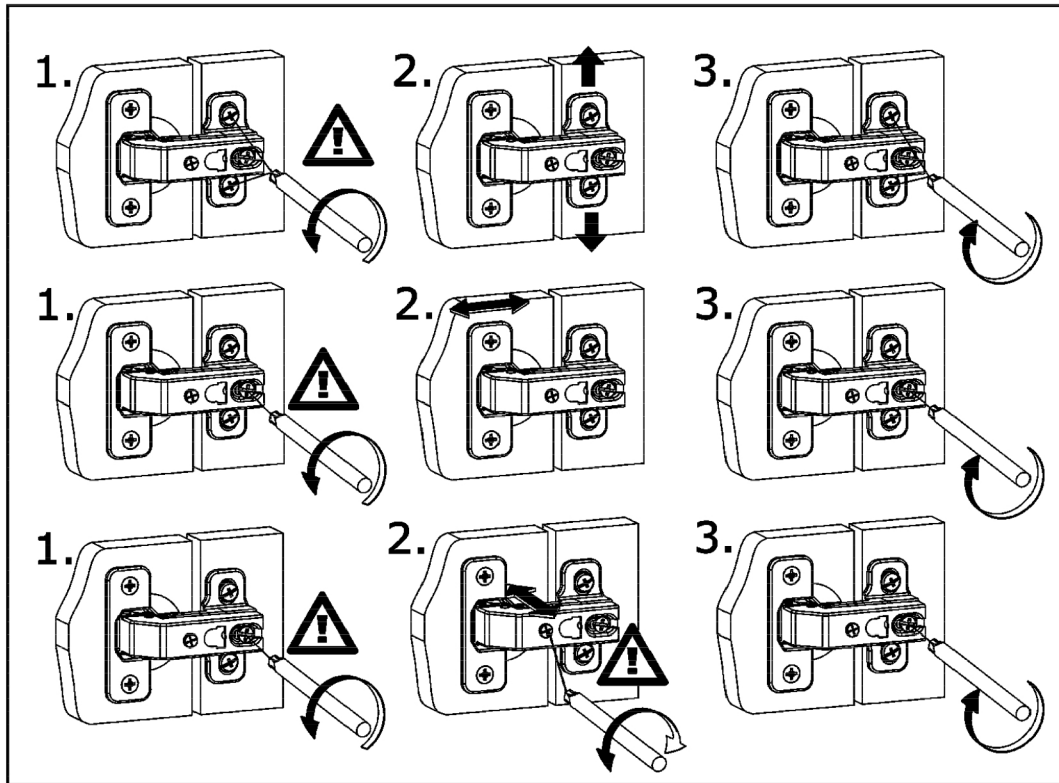
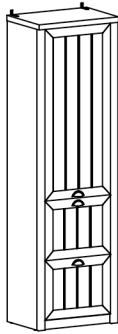
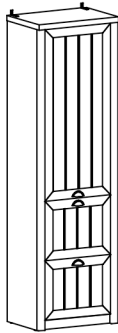
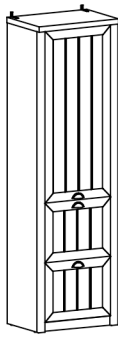
21



22



23



24

